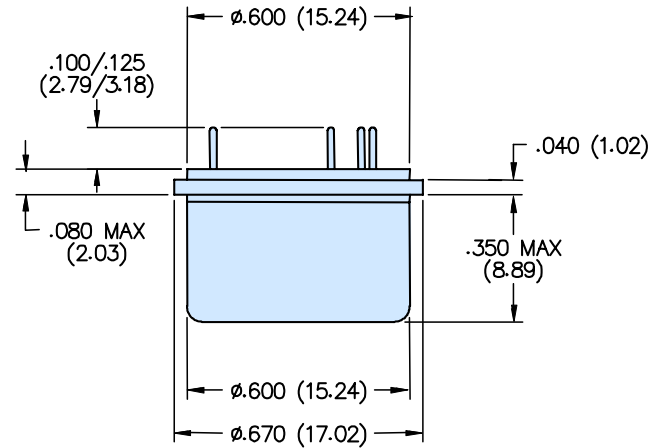
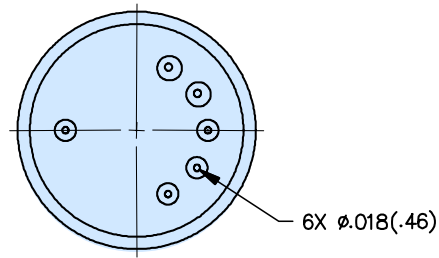
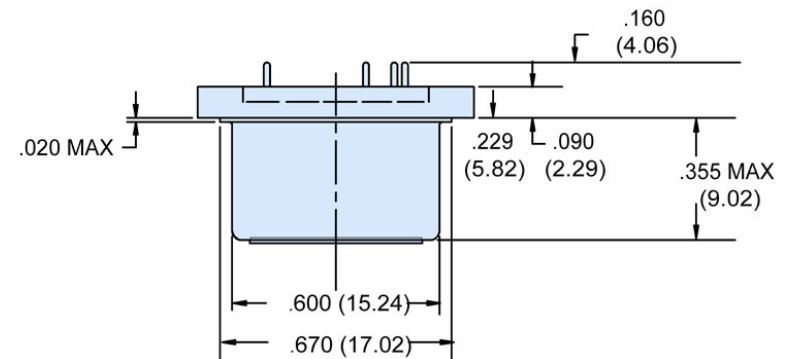
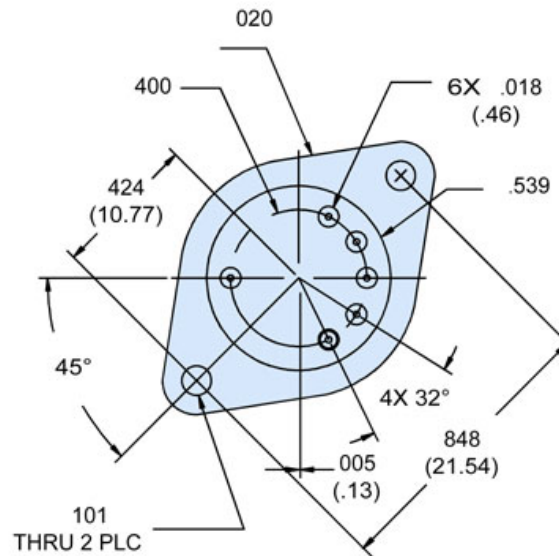




RBA500 without Flange



RBA500 with Flange



## RBA500 ACCELEREX® ACCELEROMETER OUTLINE

HONEYWELL INTERNATIONAL INC.  
 REDMOND, WA 98073-9701

[www.inertialsensor.com](http://www.inertialsensor.com)

EXP-007, 8-2005

DISCLAIMER: Specifications are subject to change without notice. Honeywell reserves the right to make changes to any product or technology herein to improve reliability, function, or design. Honeywell does not assume any liability arising out of the application or use of the product.

Accelerometers exported from the United States must be done in accordance with the Export Administration Regulations (EAR) and/or the International Traffic in Arms Regulations (ITAR) as applicable.