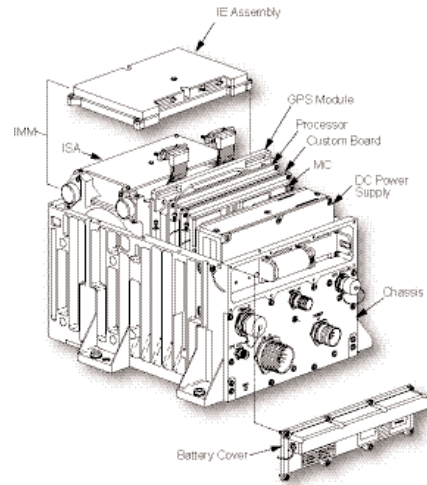
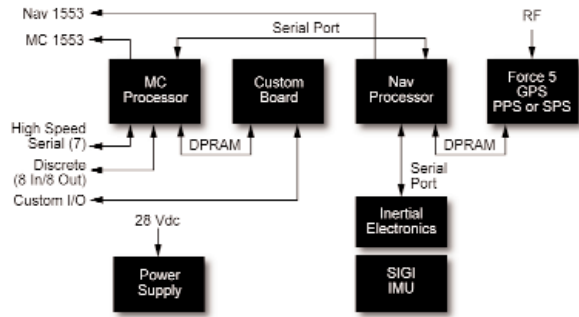


**FLEXIBLE HARDWARE AND
SOFTWARE SYSTEM ARCHITECTURE**

Inertial Navigation System with Embedded GPS Receiver

Enhanced Space Integrated GPS/INS (E-SIGI)



System Characteristics

Form factor	7 x 7 x 9.8 inches
Weight	<21 lbs
Power Requirements*	
+28 Vdc Operation	34 to 45 Watts
Thermal Operating Range*	
Ambient Air	- 54°C to +71°C (+95°C 30 minutes)
Space Vacuum, cold plate interface	-54°C to +55°C
MTBF*	20,000 hours

Navigation Performance

Overall Performance	better than 0.01 deg/hr
GPS and GPS/INS Blended Performance (SA off)*	
Position Accuracy	(SEP) better than 50m
Velocity Accuracy (RMS)	better than 0.3 m/sec
Alignment Time*	
Gyrocompass	4 minutes
Operating Ranges	
Altitude	600 nautical miles
Angular Rate	±360 deg/sec >±600 deg/sec*
Linear Velocity	±12000 meters/sec
Angular Acceleration	±171 deg/sec ²
Linear Acceleration	±10g > ±100g*
Jerk	±100 meters/sec ³
Interfaces	Nav 1553B (RT or BC) RS422 Serial Data Bus

Find out more

For more information regarding the E-SIGI, contact us at:

<http://www.honeywell.com/sites/aero/Space.htm>

Honeywell

Defense & Space
13350 US Highway 19 North
Clearwater, Florida 33764-7290
Tel: 602.365.3099
www.honeywell.com

DFOISR: 04-S-1703
G61-0393-000-000
January 2006
© 2006 Honeywell International Inc.

Mission Computer Performance

Processor

Motorola MPC 824
>100 MIPS

Memory

32MB SDRAM memory (4M x 64)
8MB Flash memory (2M x 32)
128K x 8 EEPROM history memory

Operating System

VxWorks
Tornado Development Environment

Interfaces

MC 1553B (BC or RT)
7 RS422 Serial Data Bus
8 discrete inputs
8 discrete outputs

* Mission Specific

PowerPC is a registered trademark of Motorola.

VxWorks is a registered trademark of Wind River Systems, Inc.