

DWG NO. 965-1580-206		SH. 1	1	
REVISIONS				
ZONE	REV	DESCRIPTION	DATE	APPROVED

NOTES: UNLESS OTHERWISE SPECIFIED,

1. MAXIMUM POWER COMSUMPTION 9 WATTS (NO VOICES AND HEATER BLANKET OFF).
2. WEIGHT: 3.9 LBS MAX.
3. FOR IDENTIFICATION PLATE SEE 402-6083.
4. FOR PRODUCT SPECIFICATION SEE 965-1176-601.

D

C

B

A

D

C

B

A

INTERFACE CONTROL DRAWING

TYPED NAMES CONSTITUTE APPROVAL. ACTUAL SIGNATURES ARE ON FILE AT HONEYWELL IN REDMOND WA.

This document is an unpublished work. Copyright 2000 Honeywell International Inc. All rights reserved

This document and all information and expression contained herein are the property of Honeywell International Inc, and is provided to the recipient in confidence on a "need to know" basis. Your use of this document is strictly limited to a legitimate business purpose requiring the information contained therein. Your use of this document constitutes acceptance of these terms.

-		-	
SHEET	1	2	
REVISION STATUS OF SHEETS			

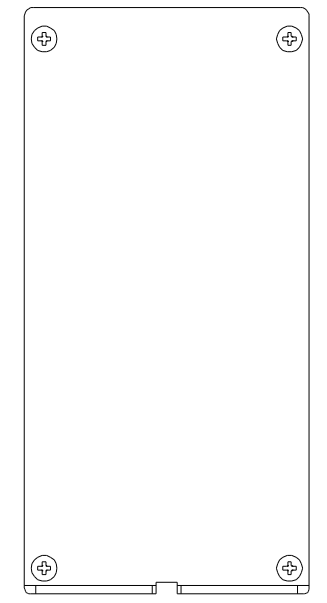
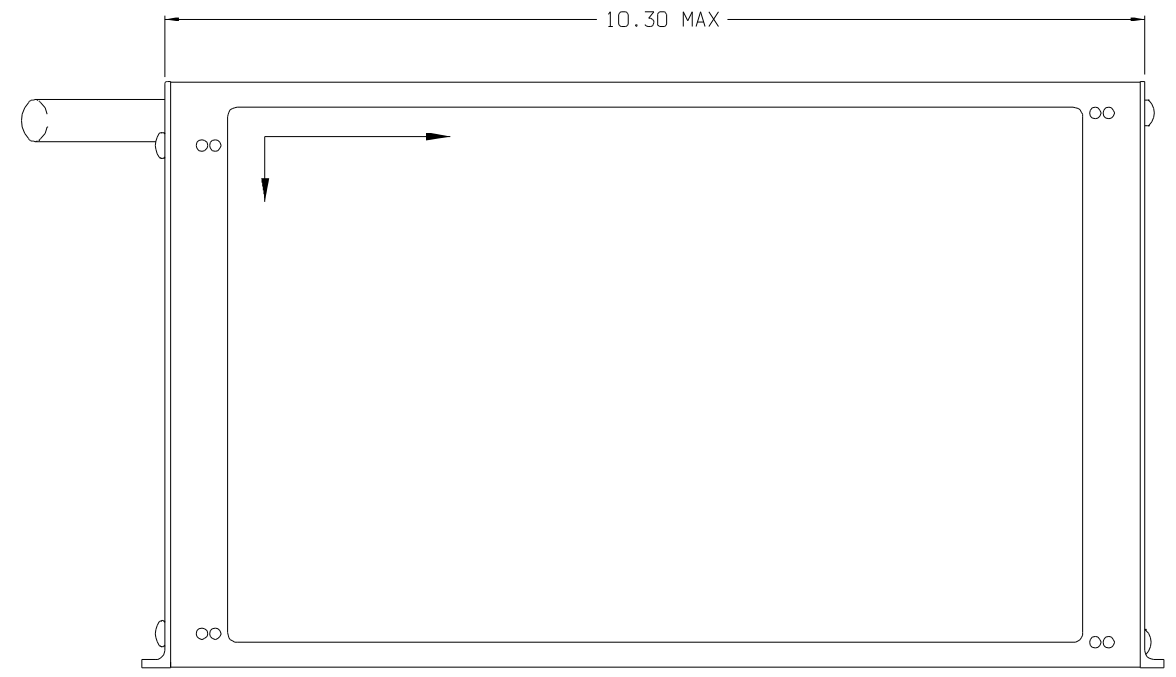
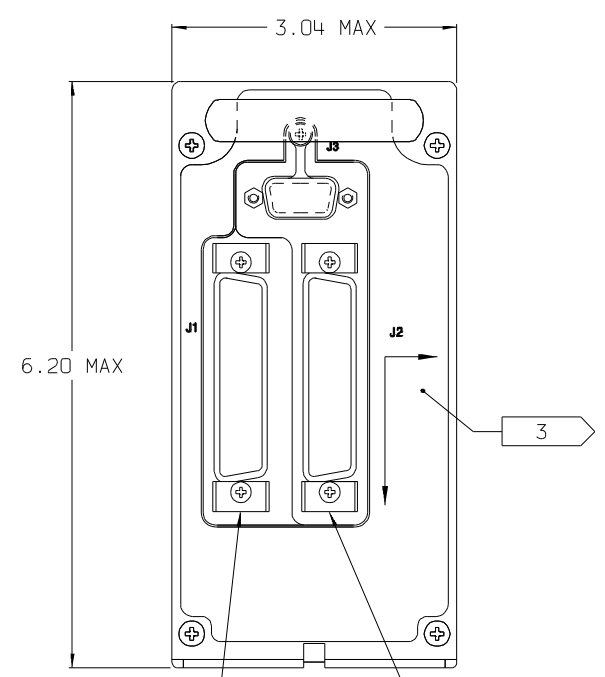
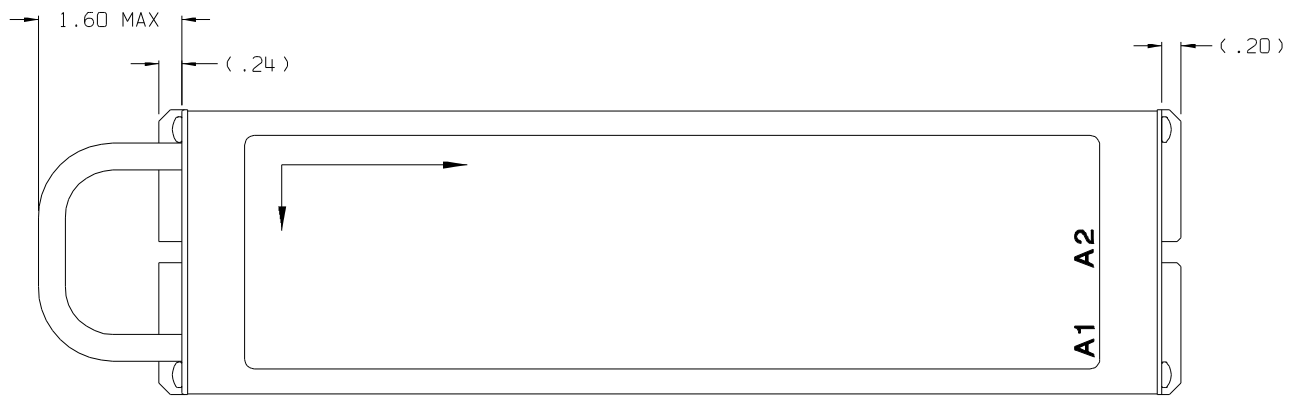
-206	-----	965-1580
DASH NO.	NEXT ASSY	USED ON
APPLICATION		

MATERIAL	PRECIOUS METAL INDICATOR CODE: NA
----------	--------------------------------------

UNLESS OTHERWISE SPECIFIED		CONTRACT NUMBER	
ALL DIM. ARE IN INCHES	TOL	DRAWN	K.LE 2000-9-21
.XX ± ---	.XXX ± ----	CHECK	J.HARRENSTEIN 2000-9-21
ANGLE ± --		ENGR	G.STURGIS 2000-9-21
INTERPRET DRAWING PER DOD-STD-100.		MFG	M.SAVE 2000-9-21
BREAK ALL SHARP EDGES		GA	O.LOFSTROM 2000-9-21
SURFACE ROUGHNESS	✓	APPD	-----

Honeywell International Inc. Redmond, Washington 98073-9701		Honeywell	
DWG TITLE			
OUTLINE - MKXXII EGPWC (WITHOUT GPS)			
SIZE	CAGE CODE	DWG NO.	REV.
D	97896	965-1580-206	-
SCALE	1/1	WT.	2
SHEET		1 OF 2	

MKXXII EGPWS



A/C CONN (MATING-P1)
D-SUBMINIATURE (HIGH DENSITY)
78-SOC CONTACT (#22) CRIMP
VIBRATION LOCKING SYSTEM
POSITRONICS PN: DD78F10JVLC-15
INCLUDES: CONN, CONTACTS,
HOOD AND SLIDE LOCK

A/C CONN (MATING-P2)
D-SUBMINIATURE (STD)
50-SOC CONTACT (#20) CRIMP
VIBRATION LOCKING SYSTEM
POSITRONICS PN: RD50F10JVLC-15
INCLUDES: CONN, CONTACTS,
HOOD AND SLIDE LOCK

PART NO. 965-1580-0XX