

ZONE		REV	DESCRIPTION	DATE	APPROVED
A			REPLACES REV. "NEW" WITH CHANGE	99-10-28	Ken Trac
			DIRECT UPDATE:	99-11-01	John Harrenstein
			1) IN NOTE 1, "HW/SW" WAS "ACCEPTANCE". 2) IN NOTE 2, "3.5 LBS" WAS "3.2 LBS". 3) ADDED NOTE 5.	99-11-01	Gary Sturgis
			REASON: 05 SEVERITY: 09		
B			REPLACES REV. "A" WITH CHANGE	99-11-22	Kim Le
			DIRECT UPDATE:	99-11-22	John Harrenstein
			1) DELETED NOTE 1 WAS "FOR HARDWARE/ SOFTWARE TEST PROCEDURE SEE 076-0901-001".	99-11-22	Gary Sturgis
			REASON: 05 SEVERITY: 09		
C			REPLACES REV "B" WITH CHANGE	2000-3-23	Kim Le
			DIRECT UPDATE:	2000-3-23	John Harrenstein
			1) CHANGED WEIGHT FROM 3.5 LBS TO 3.9 LBS IN FLAGNOTE 2. 2) NOTE 5, "12 WATTS" WAS "14 WATTS".		
			REASON: 05 SEVERITY: 09		

NOTES: UNLESS OTHERWISE SPECIFIED,

1. DELETED
- 2 WEIGHT: 3.9 LBS MAX.
- 3 FOR IDENTIFICATION PLATE SEE 402-6075-007.
4. FOR SYSTEM SPECIFICATION SEE 965-1176-601.
5. MAXIMUM POWER CONSUMPTION 12 WATTS (NO VOICES AND HEATER BLANKET OFF).

INTERFACE CONTROL DRAWING

TYPED NAMES CONSTITUTE APPROVAL. ACTUAL SIGNATURES ARE ON FILE AT HONEYWELL IN REDMOND WA.

This document is an unpublished work. Copyright 1999, 2000 Honeywell International Inc. All rights reserved

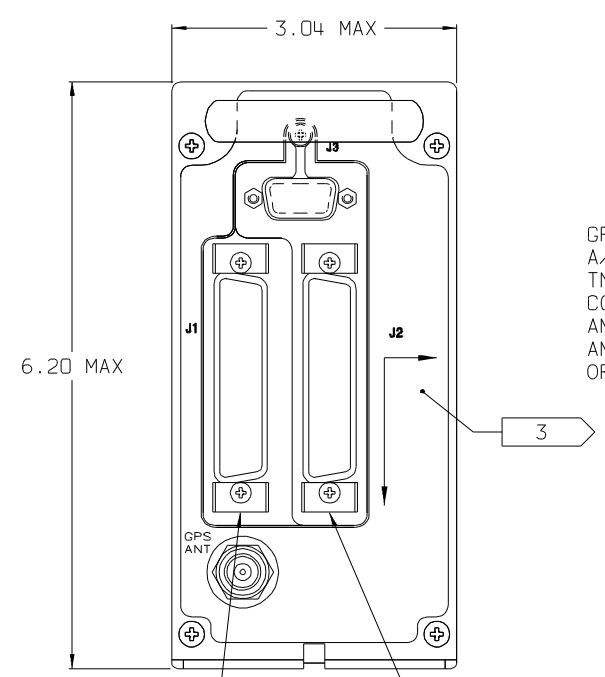
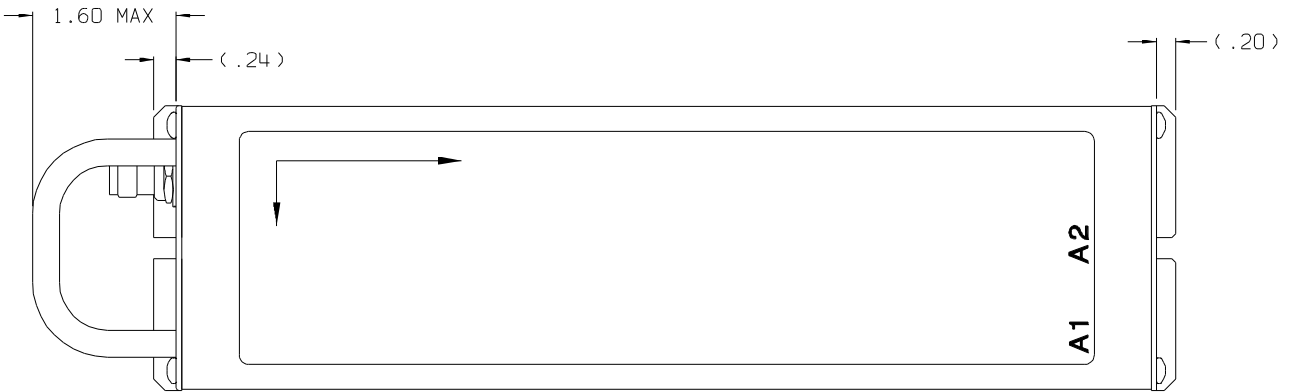
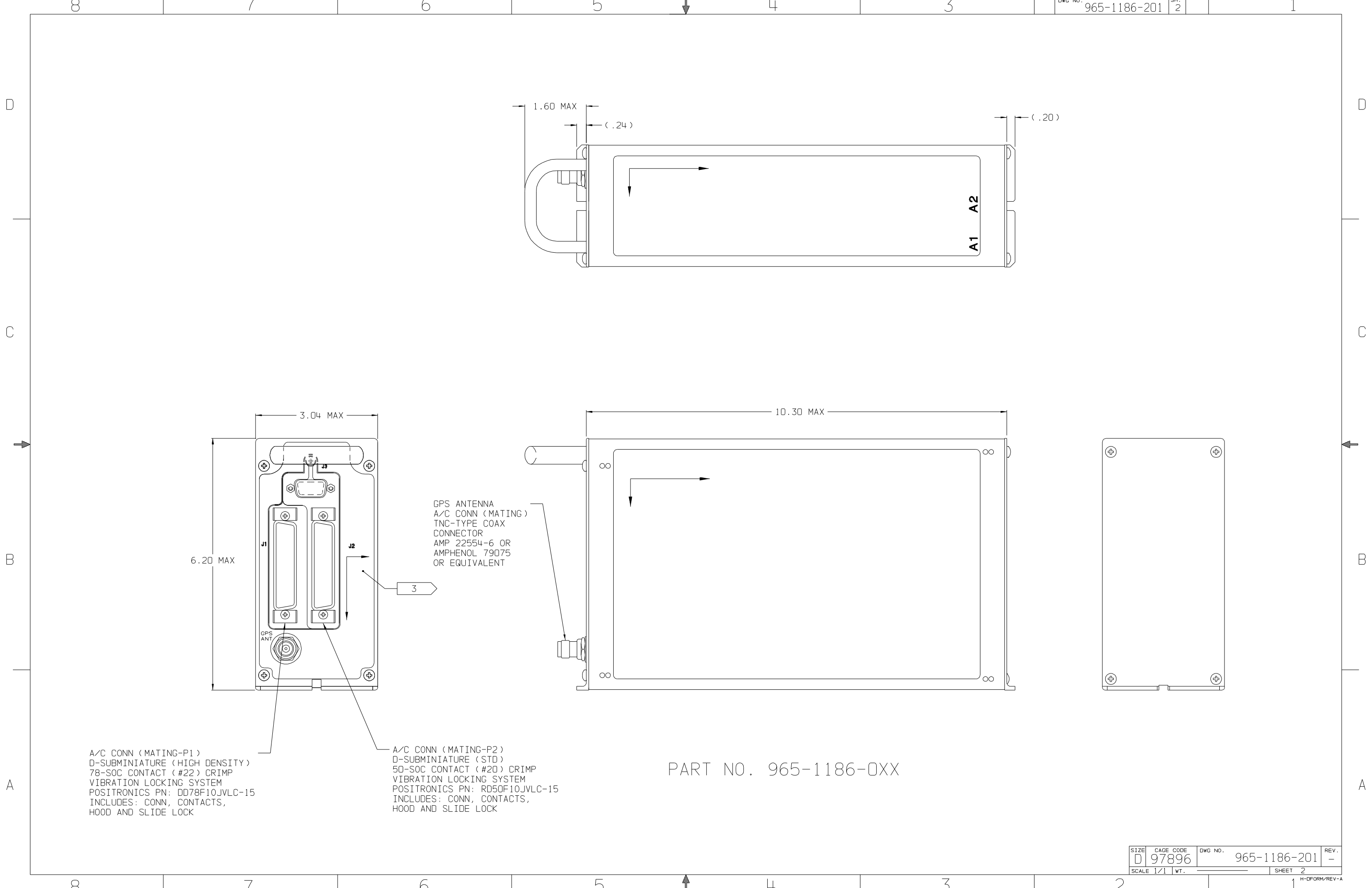
This document and all information and expression contained herein are the property of Honeywell International Inc, and is provided to the recipient in confidence on a "need to know" basis. Your use of this document is strictly limited to a legitimate business purpose requiring the information contained therein. Your use of this document constitutes acceptance of these terms.

	C	-
	B	-
	A	-
SHEET	1	2
REVISION STATUS OF SHEETS		

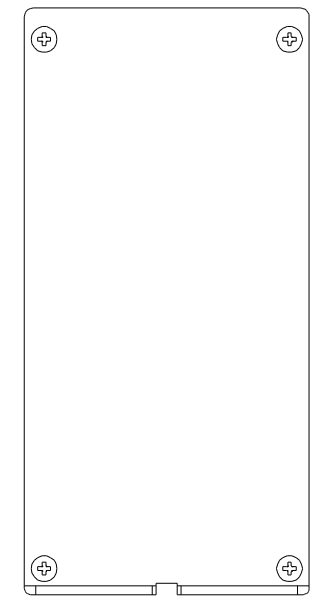
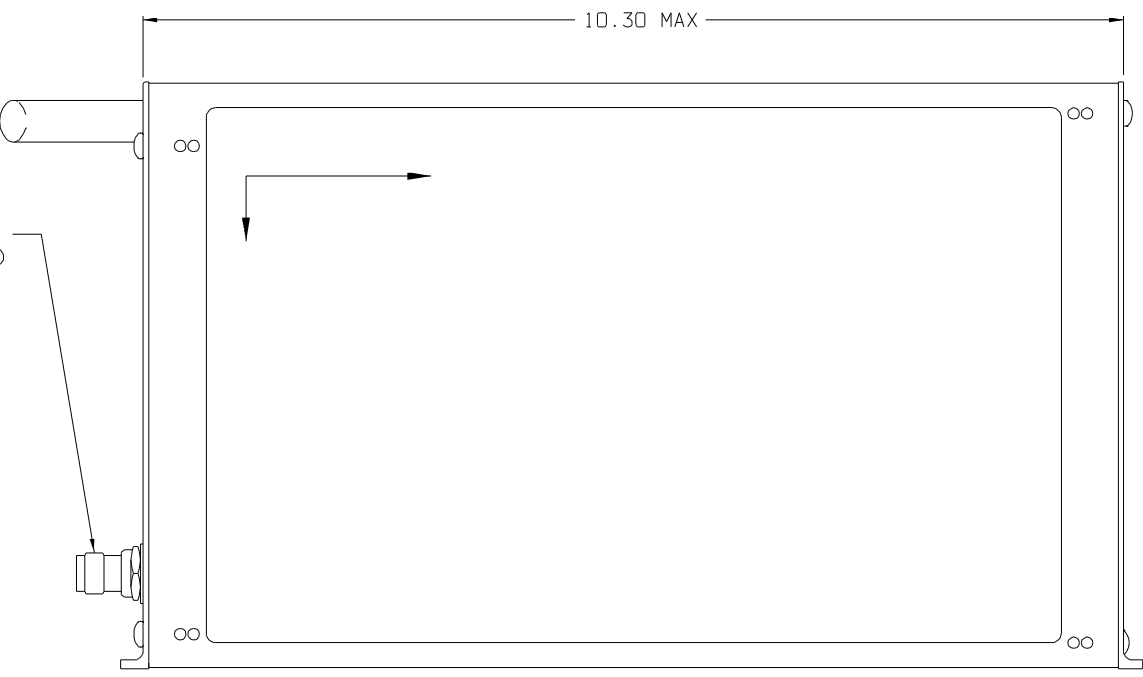
-201	-----	965-1186
DASH NO.	NEXT ASSY	USED ON
APPLICATION		

MATERIAL	UNLESS OTHERWISE SPECIFIED			CONTRACT NUMBER		Honeywell International Inc. Redmond, Washington 98073-9701 Honeywell
	ALL DIM. ARE IN INCHES	TOL	.XX ± --- .XXX ± ---- ANGLE ± --	DRAWN	KIM LE 99-07-21	
PRECIOUS METAL INDICATOR CODE: A	INTERPRET DRAWING PER DOD-STD-100.			CHECK	JOHN HARRENSTEIN 99-07-21	DWG TITLE
	BREAK ALL SHARP EDGES			ENGR	JACK SNYDER 99-07-28	OUTLINE - MKVI EGPWC (WITH GPS)
	SURFACE ROUGHNESS			MFG	CHANH TRAN 99-07-28	SIZE
				GA	OSCAR LOFSTROM 99-07-29	CAGE CODE
			APPD	-----	DWG NO.	
					965-1186-201	
			SCALE 1/1		WT. 2	REV. C
					SHEET 1 OF 2	H-DFORM/REV-A

MKVI EGPWS



GPS ANTENNA
A/C CONN (MATING)
TNC-TYPE COAX
CONNECTOR
AMP 22554-6 OR
AMPHENOL 79075
OR EQUIVALENT



A/C CONN (MATING-P1)
D-SUBMINIATURE (HIGH DENSITY)
78-SOC CONTACT (#22) CRIMP
VIBRATION LOCKING SYSTEM
POSITRONICS PN: DD78F10JVLC-15
INCLUDES: CONN, CONTACTS,
HOOD AND SLIDE LOCK

A/C CONN (MATING-P2)
D-SUBMINIATURE (STD)
50-SOC CONTACT (#20) CRIMP
VIBRATION LOCKING SYSTEM
POSITRONICS PN: RD50F10JVLC-15
INCLUDES: CONN, CONTACTS,
HOOD AND SLIDE LOCK

PART NO. 965-1186-0XX