

REVISIONS				
ZONE	REV	DESCRIPTION	DATE	APPROVED
A		REPLACES REV NEW WITH CHANGE. DIRECT UPDATE: 1) REVISED NOTE 4 WAS: "POWER DISSIPATION IS 30 WATTS WITH NO WARNINGS. 44 WATTS WITH WARNING AND 8 OHM SPEAKER CONNECTED. THE HEATER BLANKET DISSIPATES AN ADDITIONAL 48 WATTS TYPICAL (90 WATTS MAXIMUM) WHEN IT IS ON. THE HEATER BLANKET WILL TURN ON WHEN THE TEMPERATURE INSIDE THE UNIT IS $\leq -20 \pm 4^{\circ}\text{C}$ AND WILL TURN OFF WHEN THE TEMPERATURE INSIDE THE UNIT IS $\geq -10 \pm 4^{\circ}\text{C}$ ".	2001-8-16	KIM LE
		REASON: 05 SEVERITY: 09		
B		REPLACES REV "A" WITH CHANGE DIRECT UPDATE: 1) DELETED "+.010/- .000 CONNECTOR TO BOTTOM OF UNIT" DIMENSION IN ZONE B2 ON SHEET 2. 2) ADDED FLAGNOTE 7 AND ITS CALL-OUT TO SHEET 2. 3) ADDED VIEW A TO SHEET 2.	2003-2-10 2003-3-18	Kim Le John Harrenstein
		REASON: 05 SEVERITY: 09		

NOTES: UNLESS OTHERWISE SPECIFIED,

- COOLING AIR NOT REQUIRED.
- WEIGHT: 7.5 LBS MAX.
- MINIMUM IDENTIFICATION INFORMATION:
PART NO. 965-1076-OXX-XXX-XXX
SERNO:
MFG DATE:
TSO-C92c
TSO-C117a
ENVIR CAT: DO-160C
SOFTWARE: DO-178B LEVEL C,D
MODIFICATION STATUS

CONFIGURATION DATABASE
MOD STATUS IF APPLICABLE

APPLICATION S/W MOD
STATUS IF APPLICABLE
- POWER DISSIPATION IS 30 WATTS WITH NO WARNINGS.
44 WATTS WITH WARNING AND 8 OHM SPEAKER CONNECTED.
- THIS DIMENSION CONTROLS WIDTH OF FRONT PANEL AND IS TO BE MEASURED FROM THE $2.25 \pm .04$ DIMENSION.
- THE SYMBOL INDICATES THE CENTER OF GRAVITY OF UNIT.
- THE BOTTOM OF REAR PANEL ASSEMBLY SHALL BE FLUSH TO $.010$ BELOW THE BOTTOM SURFACE OF CHASSIS AS SHOWN IN VIEW A.

INTERFACE CONTROL DRAWING

Typed names constitute approval. Actual signatures on file at Honeywell in Redmond Wa.

This document is an unpublished work. Copyright 2001,2003 Honeywell International Inc. All rights reserved.

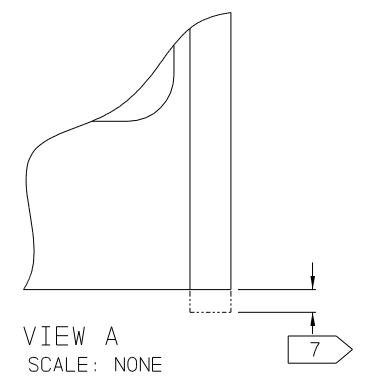
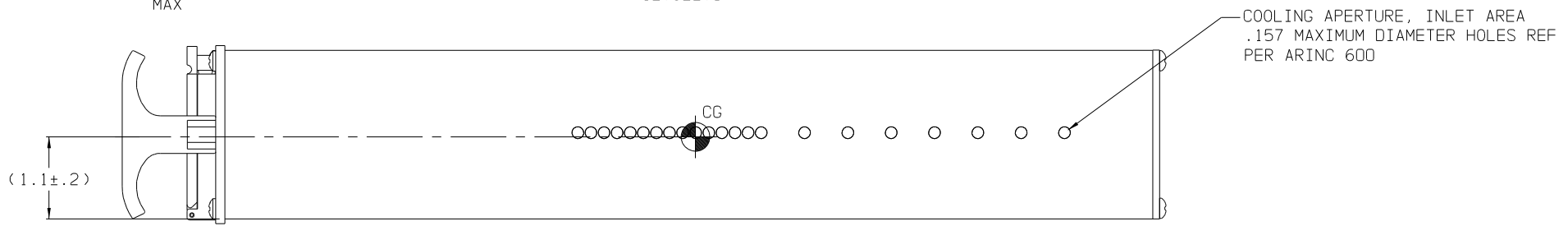
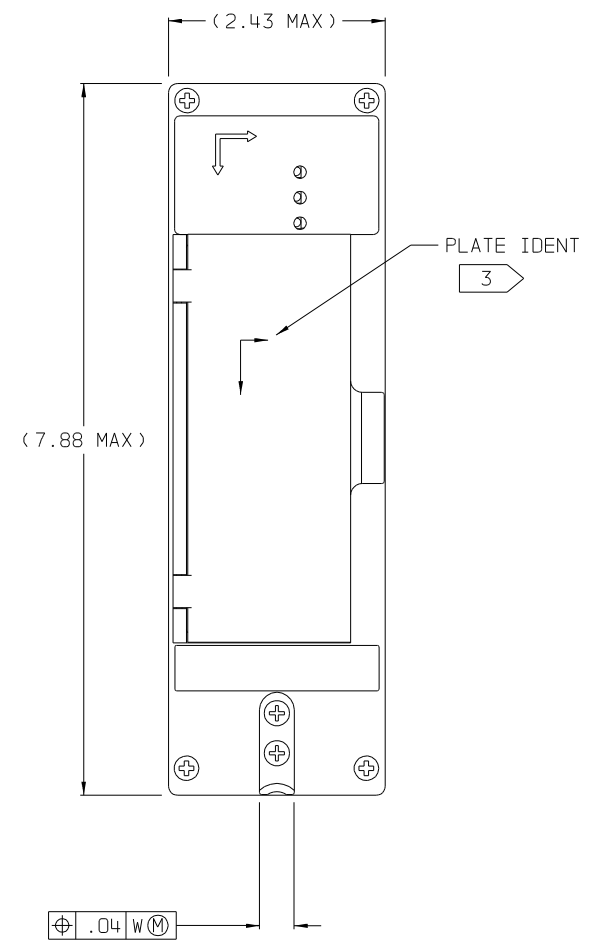
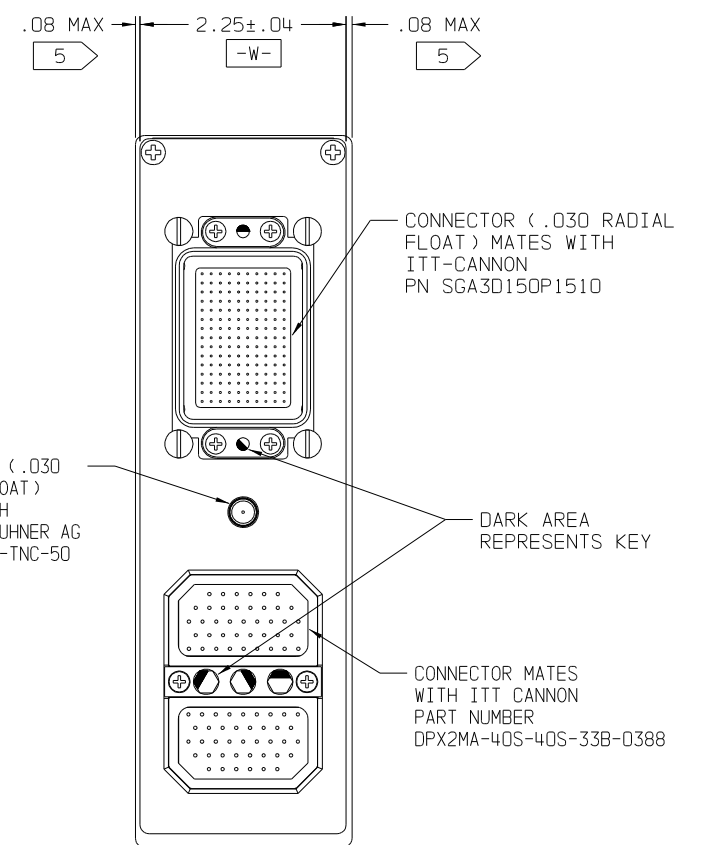
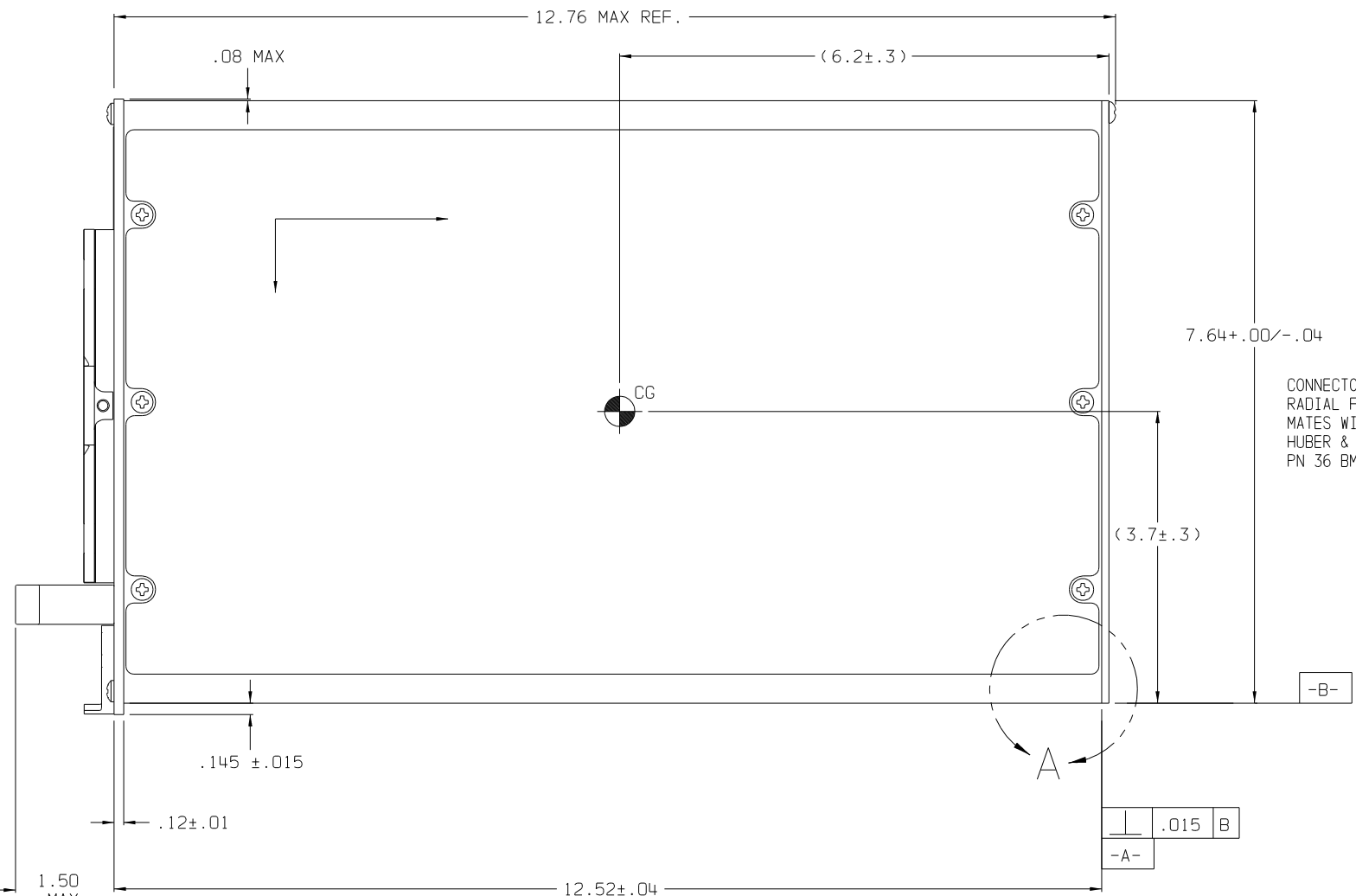
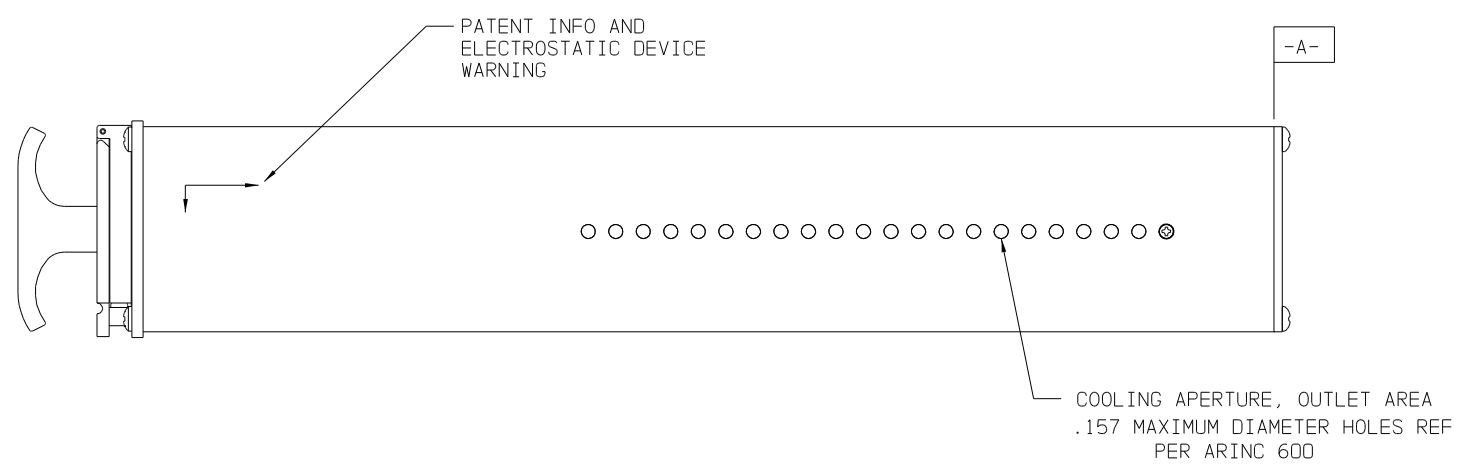
This document and all information and expression contained herein are the property of Honeywell International Inc, and is provided to the recipient in confidence on a "need to know" basis. Your use of this document is strictly limited to a legitimate business purpose requiring the information contained therein. Your use of this document constitutes acceptance of these terms.

	B	B
	A	-
	-	-
SHEET	1	2
REVISION STATUS OF SHEETS		

-201	960-2230	960-2230
DASH NO.	NEXT ASSY	USED ON
APPLICATION		

MATERIAL	UNLESS OTHERWISE SPECIFIED	CONTRACT NUMBER	Honeywell International Inc. Redmond, Washington 98073-9701
	ALL DIM. ARE IN INCHES	DRAWN Ken Trac	Honeywell
	TOL .XX ± —	CHECK Kim Le	DWG TITLE
	.XXX ± —	ENGR Gary Sturgis	EGPW SYSTEM, 28 VDC WITH GPS - OUTLINE
	ANGLE ± —	MFG Chanh Tran	SIZE D
INTERPRET DRAWING PER DOD-STD-100.	BREAK-ALL-SHARP-EDGES	QA Oscar Loistrom	CAGE CODE 97896
SURFACE-ROUGHNESS <input checked="" type="checkbox"/>	PRECIOUS METAL INDICATOR CODE: NA	APPD	DWG NO. 960-2230-201
			SCALE 1/1 WT. 2
			SHEET 1 OF 2
			H-DFORM/REV-A

MKVII EGPWS



PART NO. 960-2230-0XX

SIZE D	CAGE CODE 97896	DWG NO. 960-2230-201	REV. B
SCALE 1/1	WT.	SHEET 2	H-DFORM/REV-A