

ZONE		REV	DESCRIPTION	DATE	APPROVED
A			REPLACES REV. "NEW" WITH CHANGE	99-10-28	Ken Trac
			DIRECT UPDATE:	99-11-01	John Harrenstein
			1) IN NOTE 1, "HW/SW" WAS "ACCEPTANCE". 2) IN NOTE 2, "3.5 LBS" WAS "3.2 LBS". 3) ADDED NOTE 5. REASON: 05 SEVERITY: 09	99-11-01	Gary Sturgis
B			REPLACES REV. "A" WITH CHANGE	99-11-22	Kim Le
			DIRECT UPDATE: 1) DELETED NOTE 1 WAS "FOR HARDWARE/ SOFTWARE TEST PROCEDURE SEE 076-0901-001". REASON: 05 SEVERITY: 09	99-11-22 99-11-22	John Harrenstein Gary Sturgis
C			REPLACES REV "B" WITH CHANGE	2000-3-23	Kim Le
			DIRECT UPDATE: 1) CHANGED WEIGHT FROM 3.5 LBS TO 3.9 LBS IN FLAGNOTE 2. 2) NOTE 5, "9 WATTS" WAS "14 WATTS". REASON: 05 SEVERITY: 09	2000-3-23	John Harrenstein

NOTES: UNLESS OTHERWISE SPECIFIED,

1. DELETED
2. WEIGHT: 3.9 LBS MAX.
3. FOR IDENTIFICATION PLATE SEE 402-6082-001.
4. FOR PRODUCT SPECIFICATION SEE 965-1176-601.
5. MAXIMUM POWER CONSUMPTION 9 WATTS (NO VOICES AND HEATER BLANKET OFF).

INTERFACE CONTROL DRAWING

TYPED NAMES CONSTITUTE APPROVAL. ACTUAL SIGNATURES ARE ON FILE AT HONEYWELL IN REDMOND WA.

This document is an unpublished work. Copyright 1999, 2000 Honeywell International Inc. All rights reserved

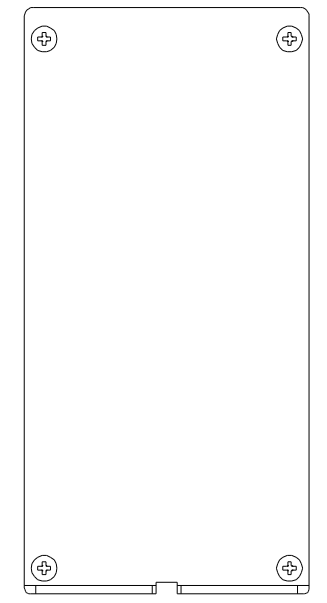
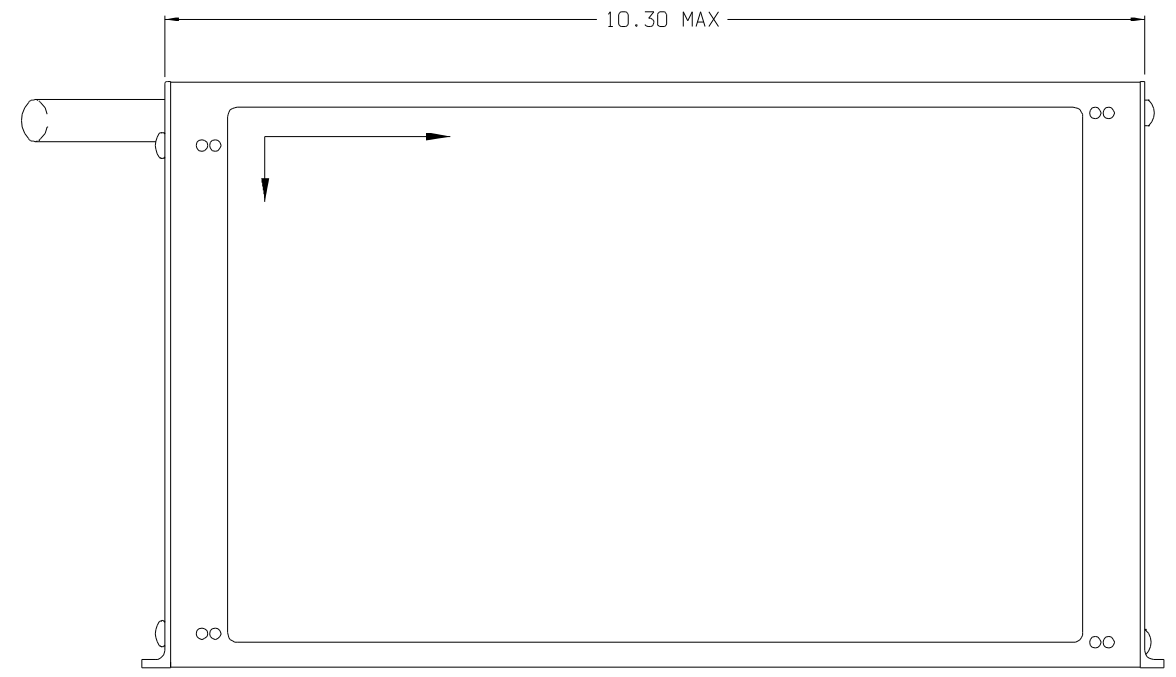
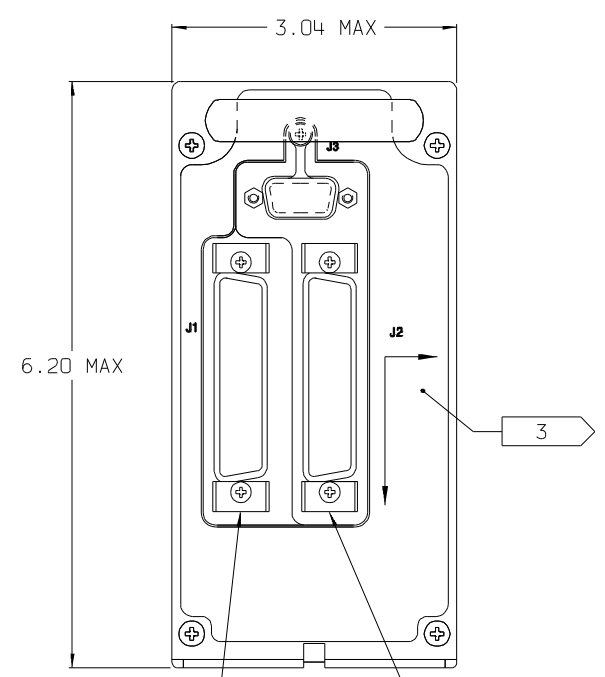
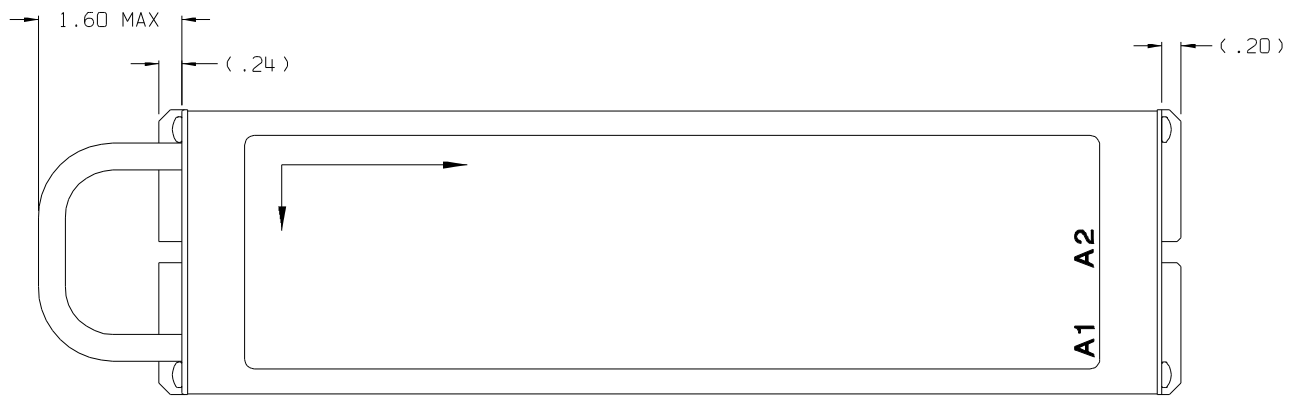
This document and all information and expression contained herein are the property of Honeywell International Inc, and is provided to the recipient in confidence on a "need to know" basis. Your use of this document is strictly limited to a legitimate business purpose requiring the information contained therein. Your use of this document constitutes acceptance of these terms.

	C	-
	B	-
	A	-
SHEET	1	2
REVISION STATUS OF SHEETS		

-201	-----	965-1206
DASH NO.	NEXT ASSY	USED ON
APPLICATION		

MATERIAL	UNLESS OTHERWISE SPECIFIED			CONTRACT NUMBER		Honeywell International Inc. Redmond, Washington 98073-9701 Honeywell
	ALL DIM. ARE IN INCHES	TOL	.XX ± --- .XXX ± ---- ANGLE ± --	DRAWN	KIM LE 99-09-23	
	INTERPRET DRAWING PER DOD-STD-100.			CHECK	JOHN HARRENSTEIN 99-09-23	
	BREAK ALL SHARP EDGES			ENGR	PAT BIGGER 99-09-23	
PRECIOUS METAL INDICATOR CODE: A			MFG	CHANH TRAN 99-09-23	DWG TITLE OUTLINE - MKVIII EGPWC (WITHOUT GPS)	
			GA	OSCAR LOFSTROM 99-09-23		
			APPD	-----	SIZE D	
			SURFACE ROUGHNESS ✓		CAGE CODE 97896	
			SCALE 1/1		DWG NO. 965-1206-201	
			WT. 2		REV. C	
			SHEET 1 OF 2		H-DFORM/REV-A	

MKVIII EGPWS



A/C CONN (MATING-P1)
D-SUBMINIATURE (HIGH DENSITY)
78-SOC CONTACT (#22) CRIMP
VIBRATION LOCKING SYSTEM
POSITRONICS PN: DD78F10JVLC-15
INCLUDES: CONN, CONTACTS,
HOOD AND SLIDE LOCK

A/C CONN (MATING-P2)
D-SUBMINIATURE (STD)
50-SOC CONTACT (#20) CRIMP
VIBRATION LOCKING SYSTEM
POSITRONICS PN: RD50F10JVLC-15
INCLUDES: CONN, CONTACTS,
HOOD AND SLIDE LOCK

PART NO. 965-1206-0XX